

# Model 530LRT

## ROUGH TERRAIN SCISSOR LIFTS



### ENHANCED SERVICEABILITY

- Pin base loading allows for no load calibration.

### MORE PRODUCTIVE

- Enjoy superior terrainability with four-wheel-drive and standard oscillating axle.
- Enhanced proportional controls for more accurate machine operations.

### MORE ACCESS

- More room for people and materials thanks to spacious deck with standard extension.
- Optional MegaDeck for bigger workspace.

### SMART DESIGN

- Reduced soundlevels (perceived volume reduction by 34%).
- Relocated angle tilt sensor and re-routed harness are less prone to damages.
- Commonality of hood and ladder design on all LRTs for optimized fleet management.



### Standard Features

- Four wheel drive
- Two speed drive selection
- Proportional drive control with thumb steer
- Oscillating front axle
- 1.14 m manual front deck extension
- AC power cable to platform
- 1.81 m x 3.96 m steel platform (WxL)
- Moveable and removable platform console box
- On-board self-diagnostic testing
- Fuel level warning light on the platform
- Fold down handrails
- Horn
- 3 degree tilt alarm and indicator light
- Engine distress warning/shut down system
- Guardless system with audio visual alarm
- Swivel motor bracket
- Hydraulic leveling jacks

### Standard Specifications

Power Source	
• Diesel Engine	21.7 kW
• Fuel Tank Capacity	83 L
Hydraulic System	
• Hydraulic reservoir	129 L
Tyres	12 x 16.5 Foam-Filled

### Accessories & Options

- 1.81 m x 7.05m Megadeck incl. dual manual extensions
- Dual deck extension
- Platform Worklights
- 13 mm airline to platform
- Self-closing entrance doors
- Flashing Amber Beacon
- Skypower 7,500W generator package
- On-board 4,000W generator
- Night Bright® Package<sup>2</sup>
- Pipe Racks
- Euro plugs and sockets
- Platform Workstation

# Model 530LRT

## ROUGH TERRAIN SCISSOR LIFTS

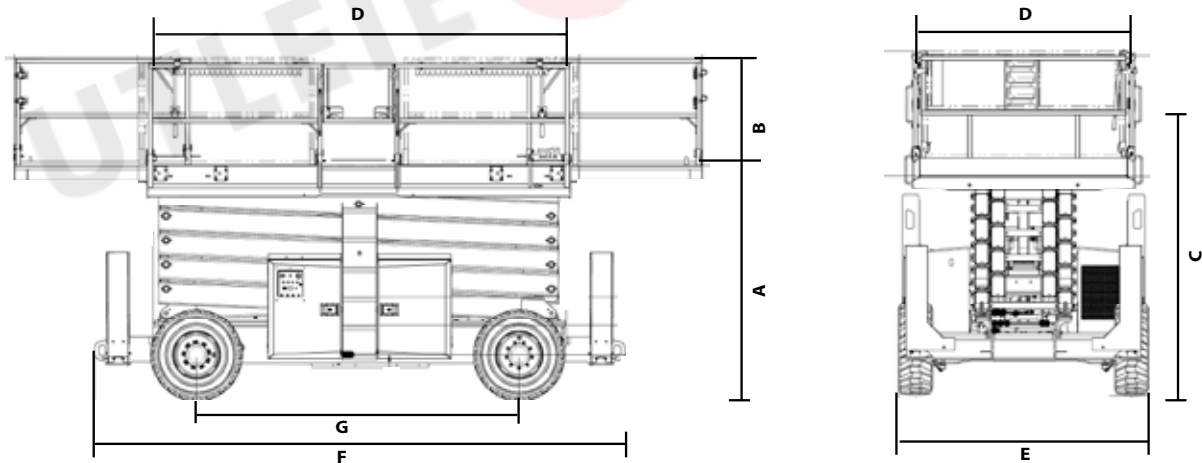
### Performance

• Working Height	18.15 m
A. Platform Height Lowered	2.02 m
B. Platform Railing Height	1.10 m
C. Stowed Height (rails folded)	2.41 m
D. Platform Size	1.81 m x 3.96 m
Front Deck Extension	1.14 m
Rear Deck Extension	1.14 m
E. Overall Width	2.31 m
F. Overall Length	4.88 m
G. Wheelbase	2.97 m
• Platform Capacity (incl Dual extension)	680 kg
• Capacity on Optional Deck Extension(s)	230 kg (option)
• Lift/Lower Time	65/60 seconds
• Maximum Drive Height	9.75 m
• Maximum Weight <sup>1</sup>	7,995 kg
• Maximum Ground Bearing Pressure	6.7 kg/cm <sup>2</sup>
• Drive Speed 4WD	5.6 km/h
• Gradeability 4WD	40%
• Turning Radius	
inside	4.04 m
outside	6.02 m
• Axle Oscillation	0.20 m

<sup>1</sup> Certain options or country standards may increase weight and/or dimensions



### Dimensions



### IMPORTANT

JLG is continually researching and developing products and reserves the right to make modifications without prior notice. All data in this document is indicative. Certain options or country standards will increase weight. Specifications may change to meet country standards or with the addition of optional equipment.

Due to continuous product improvements, JLG Industries reserves the right to make specification and/or equipment changes without prior notification.

### JLG EMEA BV

Polaris Avenue 63  
2132 JH Hoofddorp  
The Netherlands  
Phone: +31 (0)23 565 5665  
[www.jlg.com](http://www.jlg.com)

An Oshkosh Corporation Company