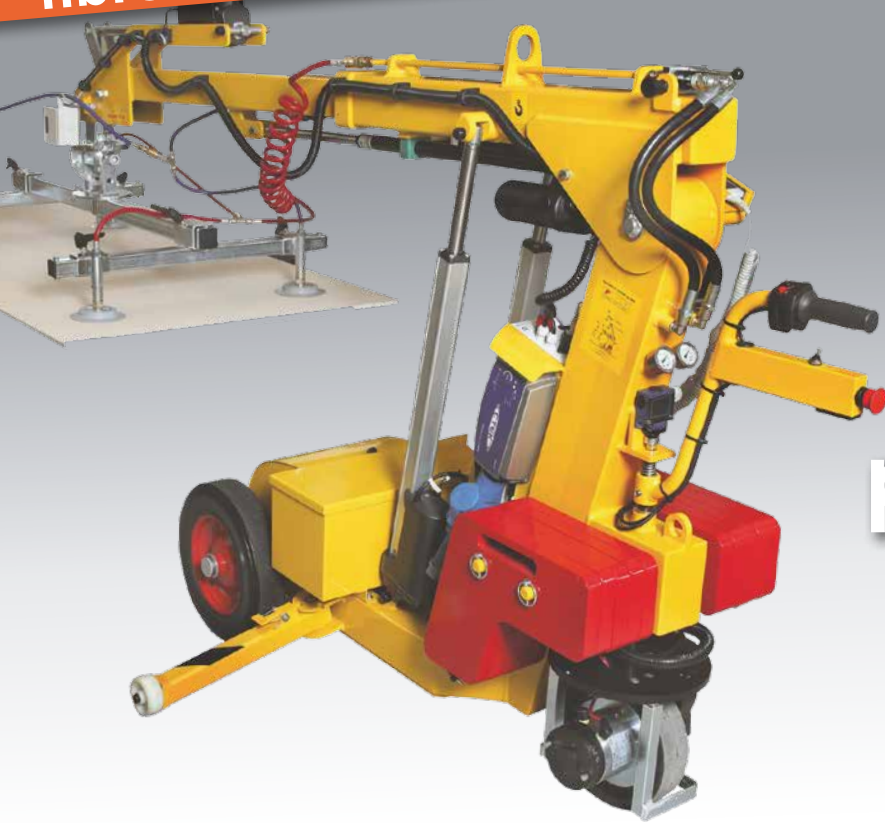


For plasterboard,
fibre board etc.

SL Gipsy
for indoor use



Handles plasterboards the easy way

Smartlift has developed a special version of the popular self-driven Smartlift which has been designed for working with plasterboard, fibre board, etc.

- Two vacuum circuits with two pumps
- Stepless in all its movements
- Automatic setting to horizontal or vertical position via gyro system
- Double speed on lift, extension and tilt
- Self-propelled
- Labour-saving
- Enhances the working environment
- Tried-and-tested Danish quality



SL Gipsy has a built-in gyro system to allow the lift to find a horizontal or vertical position quickly and automatically.

N.A. Christensensvej 39
DK-7900 Nykøbing Mors
Tel: +45 97 72 29 11
E-mail: smart@smartlift.dk
www.smartlift.dk

Smart Lift
DENMARK



The lift has a side extension to the last correction of the plasterboards before installation.



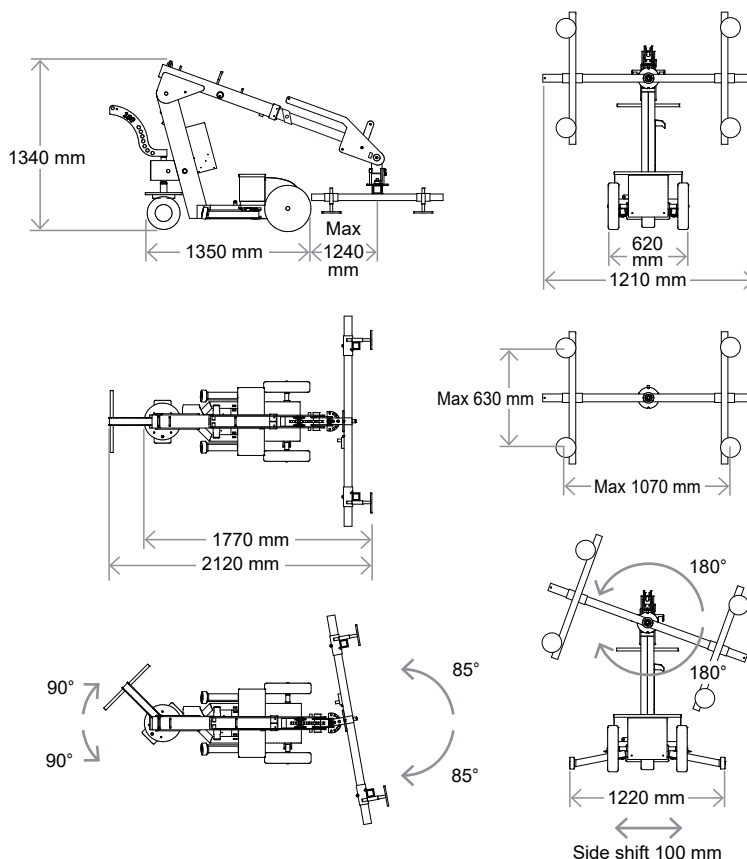
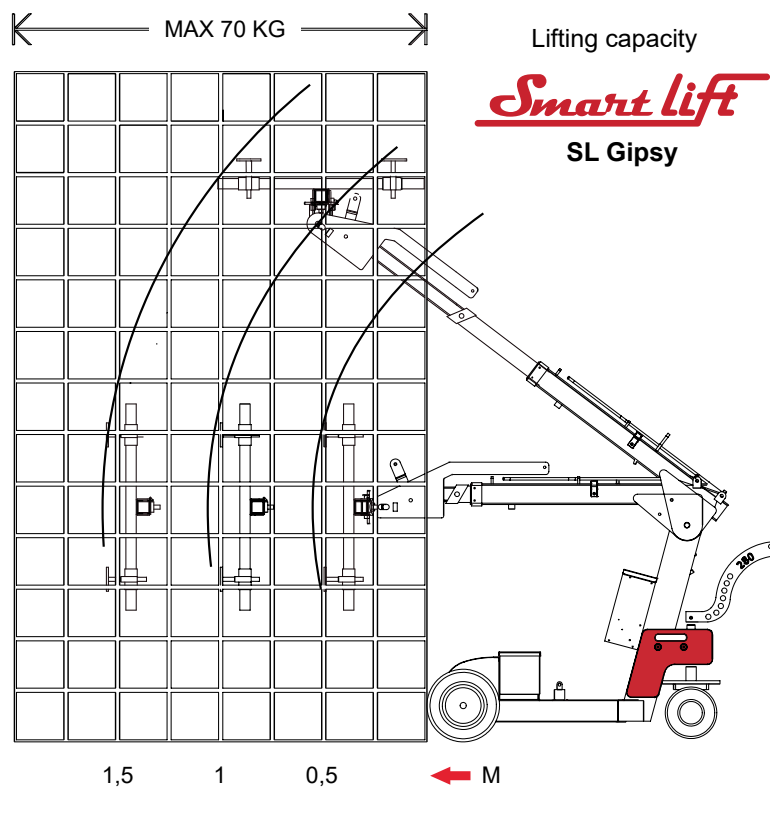
The beam has a manual extension in addition to the electrical.



SL Gipsy runs at double speed when lifting, extending and tilting, and therefore meets demands for a rapid tempo often required in fitting work.

Technical data

| Description | Value |
|--------------------------|----------------------|
| Weight | 480 kg |
| Height | 1340 mm |
| Width (min) | 620 mm |
| Length (min) | 2120 mm |
| Extension of arm | 500 mm |
| Tip from horizontal | 50° back/50° forward |
| Side shift | 100 mm |
| Voltage charger | 230 volt |
| Integrated charger | MXT 14 |
| Charging time | Approx 8 hours |
| Battery (2x12 v) 24 volt | 2 x 60 A |
| Running period | Approx 24 hours |
| Propelling engine | 700 Watt |
| Suction discs | 4 x Ø 125 mm |



N.A. Christensensvej 39
 DK-7900 Nykøbing Mors
 Tel: +45 97 72 29 11
 E-mail: smart@smartlift.dk
 www.smartlift.dk